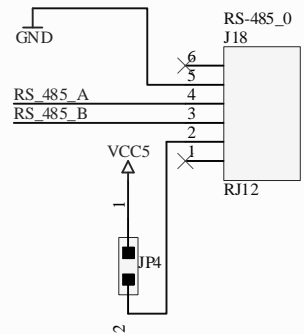
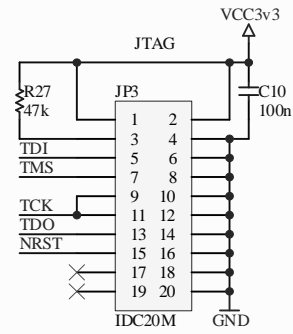
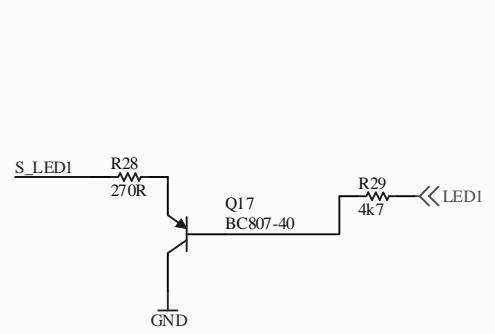
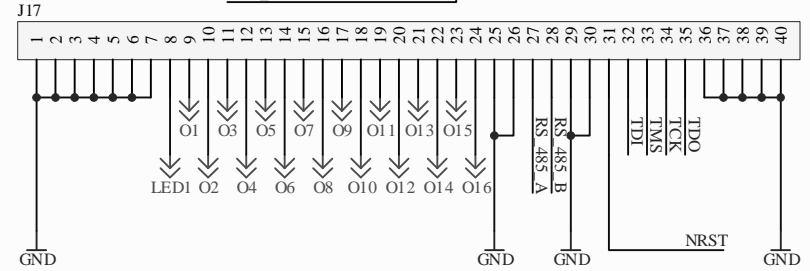
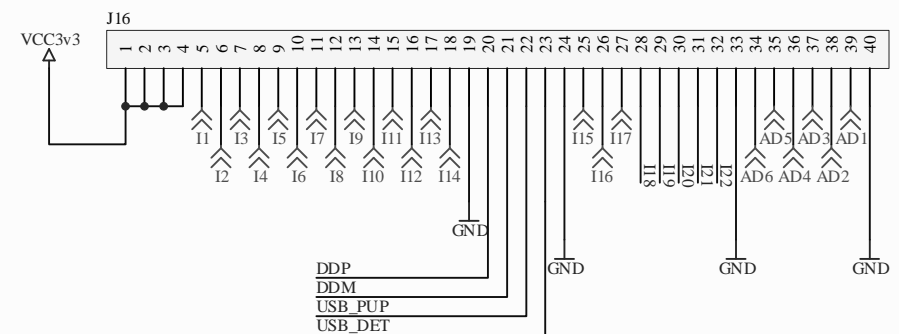
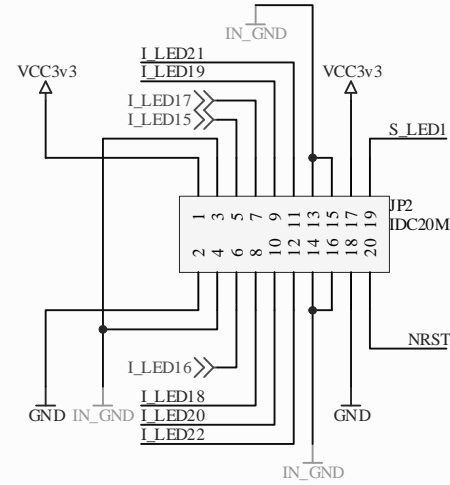
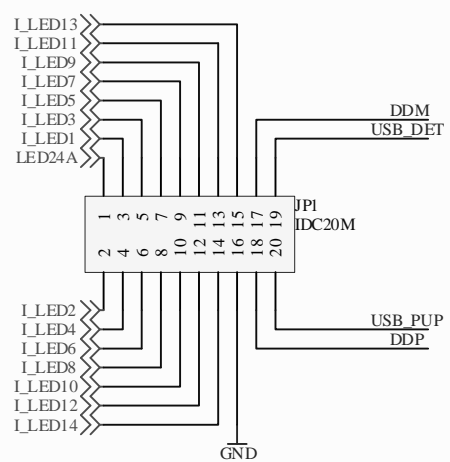
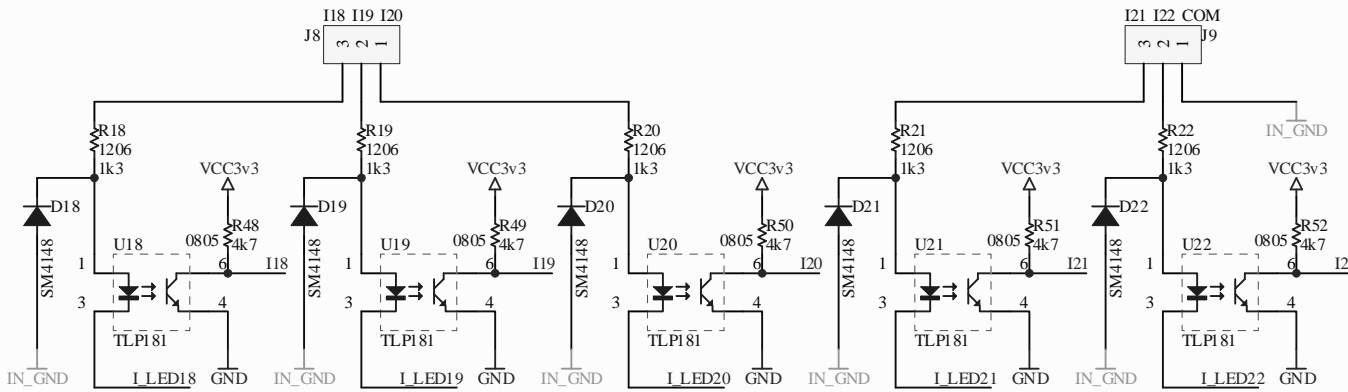
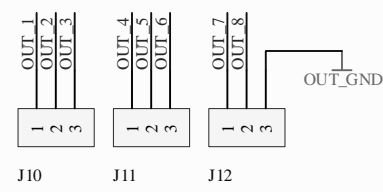
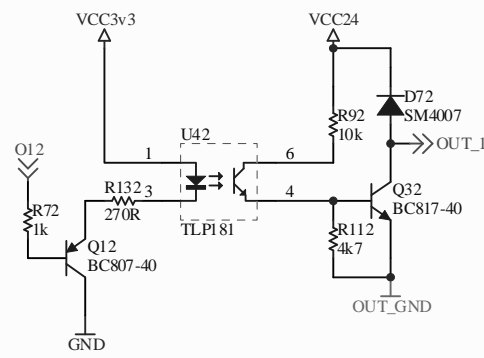
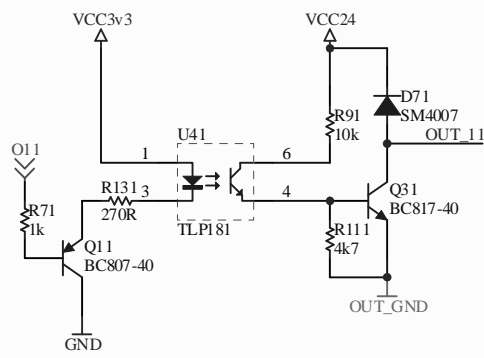
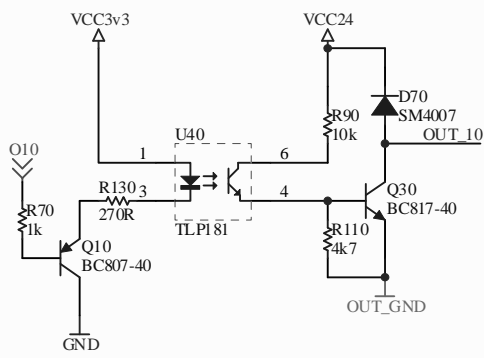
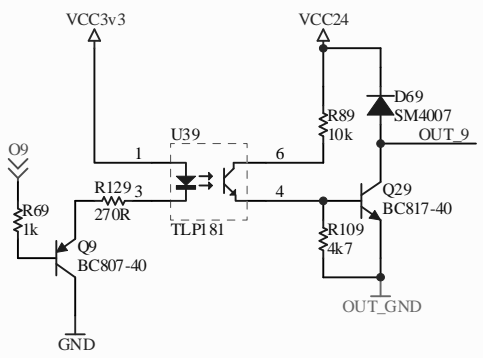
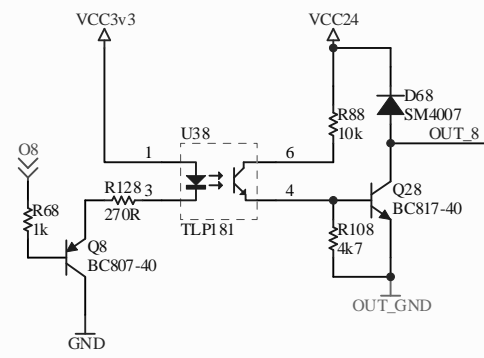
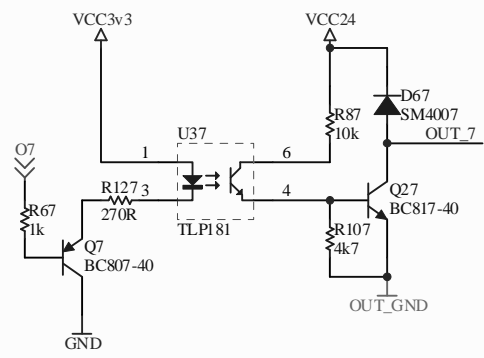
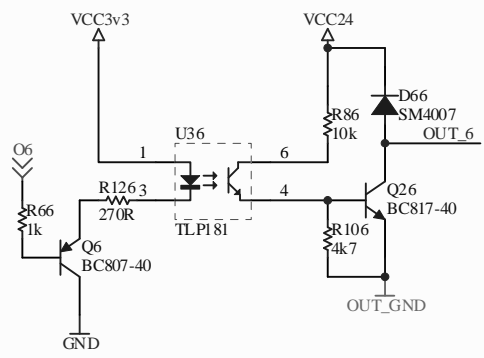
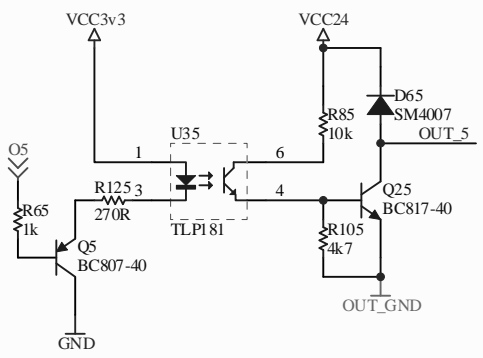
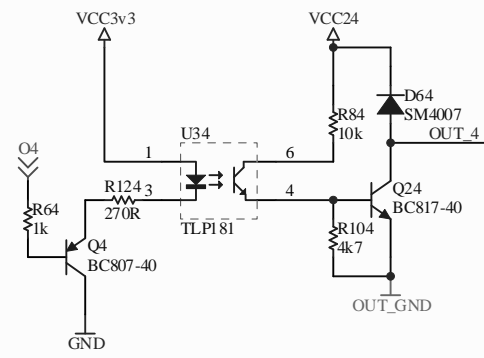
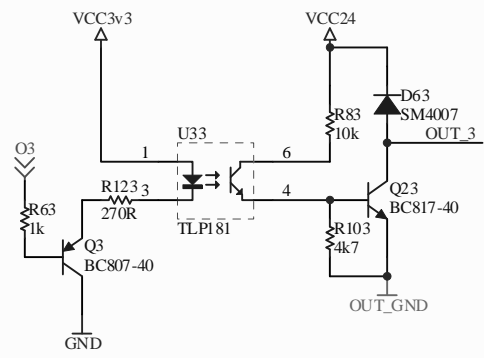
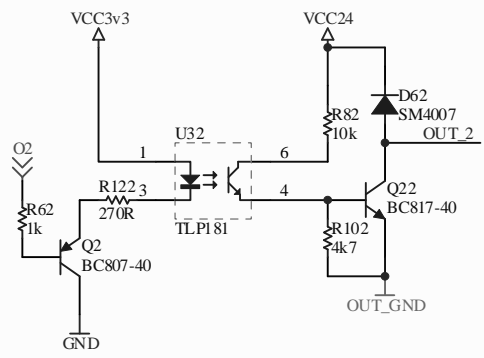
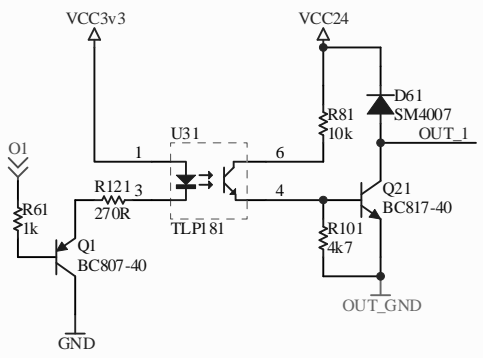


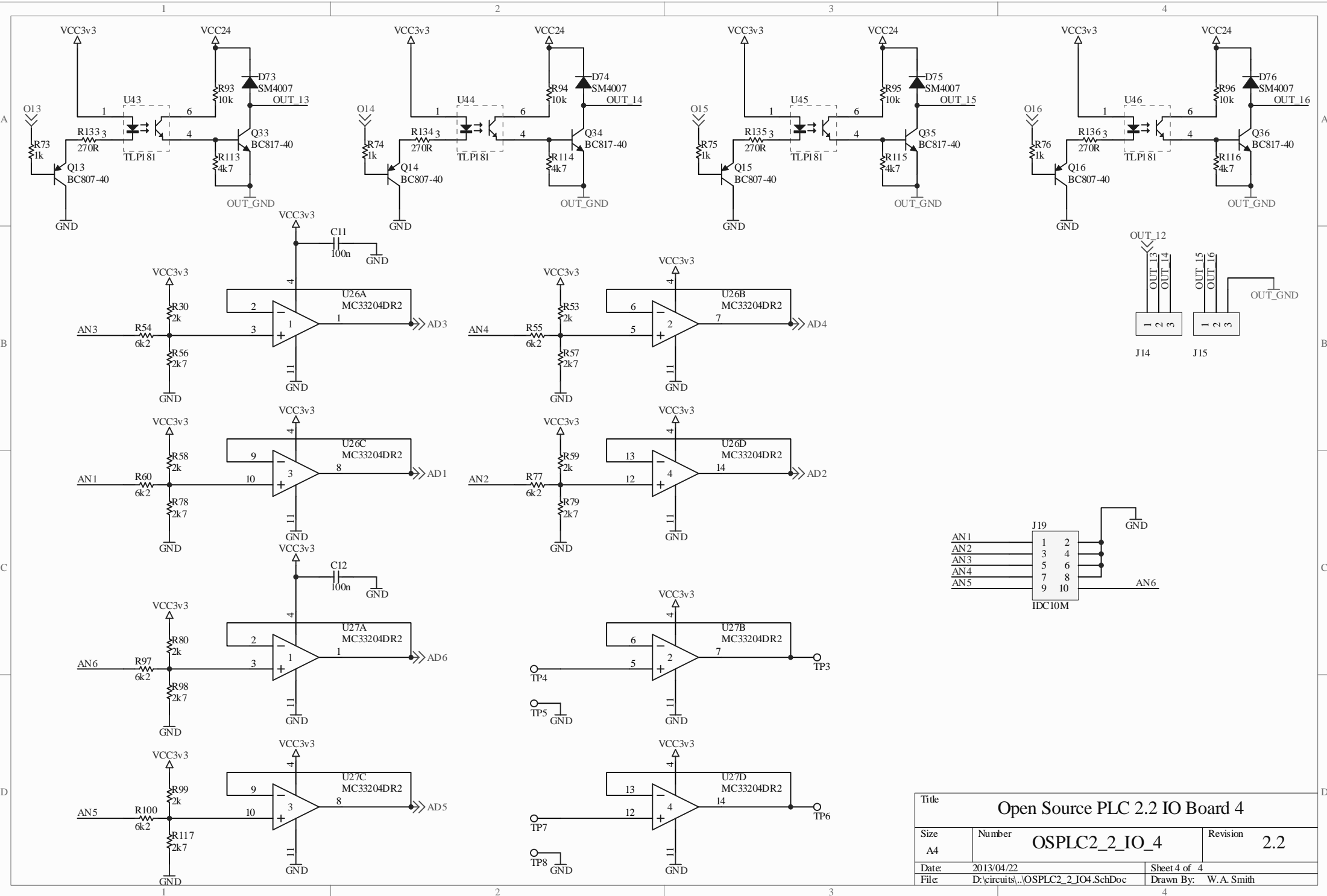
Title			
Open Source PLC 2.2 IO Board 1			
Size	A4	Number	OSPLC2_2_IO_1
		Revision	2.2
Date:	2013/04/22	Sheet 1 of 4	
File:	D:\circuits\...\OSPLC2_2_IO1.SchDoc	Drawn By:	W.A. Smith



Title			Open Source PLC 2.2 IO Board 2			
Size	A4	Number	OSPLC2_2_IO_2		Revision	2.2
Date:	2013/04/22		Sheet 2 of 4			
File:	D:\circuits\..\OSPLC2_2_IO2.SchDoc		Drawn By:		W.A. Smith	



Title		
Open Source PLC 2.2 IO Board 3		
Size A4	Number OSPLC2_2_IO_3	Revision 2.2
Date:	2013/04/22	Sheet 3 of 4
File:	D:\circuits\...\OSPLC2_2_IO3.SchDoc	Drawn By: W.A. Smith



Title			Open Source PLC 2.2 IO Board 4		
Size	Number	Revision			
A4	OSPLC2_2_IO_4	2.2			
Date:	2013/04/22	Sheet 4 of 4			
File:	D:\circuits\...\OSPLC2_2_IO4.SchDoc	Drawn By:		W.A. Smith	